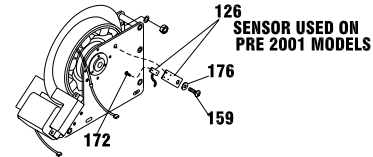




REF#	PART#	W / GOLD BUTTONS	DESCRIPTION
3	92860		FRAME
4	98184		COMPUTER MAST '98
	92866		COMPUTER MAST, PRE '98
5	92868		PEDAL ARMS, RIGHT & LEFT
	95493		PEDAL ARM RETRO KIT, PRE '99
6	92869		PEDAL SUB ASSY
7	92867		PEDAL ASSY
27	95153		PEDAL SPRING BUSHING
39	95822		A/C ADAPTER BRACKET
47	92355		PEDAL SHAFT WASHER
54	92356		LOWER BUMPER
55	92357		PEDAL ARM END CAP
56	92358		CHAIN HOLDER
60	92360		RUBBER PAD
61	95491		TRANSPORT WHEEL SHAFT
62	95488		TRANSPORT WHEEL SLEEVE
63	95487		TRANSPORT WHEEL W/ RUBBER RIM
64	95492		TRANSPORT WHEEL HARDWARE
	95486		TRANSPORT WHEEL ASSEMBLY
67	91624		HUBCAP FOR STABILIZER
65	91626		END CAP FOR REAR STABILIZER
66	98181		REAR STABILIZER, '98
69	92367		COPPER PARALLEL BUSHING
70	92368		POWER TRANSFER SHAFT
71	93893		RIGHT SPROCKET ASSEMBLY
72	92369		UPPER PULLEY
74	92370		MID HUB
76	93889		LEFT SPROCKET ASSEMBLY
79	92373		PULLEY 6V
81	91651		EYEBOLT CAP
83	92376		LOCK RING
84	92377		EYE BOLT
87	92249		TENSIONER PLATE ASSEMBLY
89	92379		TENSIONER SPRING
90	95154		TENSIONER PLATE ASSEMBLY
91	92379		SPRING
92	92381		TENSIONER BUSHING
93	98178		UPPER RIGHT H.B., '98
	92382		UPPER RIGHT H.B., PRE '98
94	98179		UPPER LEFT H.B., '98
	92383		UPPER LEFT H.B., PRE '98
97	98183		H.B. CLAMP, '98
	92863		H.B. CLAMP, PRE '98
	92384		H.B. BRACKET, PRE '98
99	92386		UPPER BUMPER
100	97996		GENERATOR
105	92246		SHROUD CONNECTING PLATE
106	98180		LOWER H.B., '98
	92864		LOWER H.B., PRE '98
107	92389		RIGHT COVER
108	92390		LEFT COVER
109	92391		H.B. GRIP
110	97991		RIGHT SHROUD
111	97992		LEFT SHROUD
113	92394		CHAIN SPRING W/ CONNECTOR
115	92396		PEDAL SPRING
116	92397		PEDAL SPRING CONNECTOR FULL DOME W/ BUSHING
	98790		PEDAL SPRING CONNECTOR HALF DOME W/ BUSHING
117	92902		BOOT SHROUD, LEFT
118	92901		BOOT SHROUD, RIGHT
119	92398		CHAIN SPRING CONNECTOR
120	92903		BOOT SHROUD HARDWARE SET
121	92399		CHAIN
122	92400		CHAIN CONNECTOR
123	92401		POLY V BELT J6-360
124	92402		POLY V BELT J8-400
126	95331		SENSOR WITH CABLE
127	95056		CONTROLLER
128	92764		INTERNAL A/C ADAPTER, 700/400mm
138	91652	92404	LEVELER LOCK NUT
139	90595		LEVELER
141	92406		NEEDLE BEARING
142	92407		CLUTCH
143	92408		BEARING 6004ZZ
144	92409		BEARING 6006ZZ
145	97977		BEARING 6000ZZ

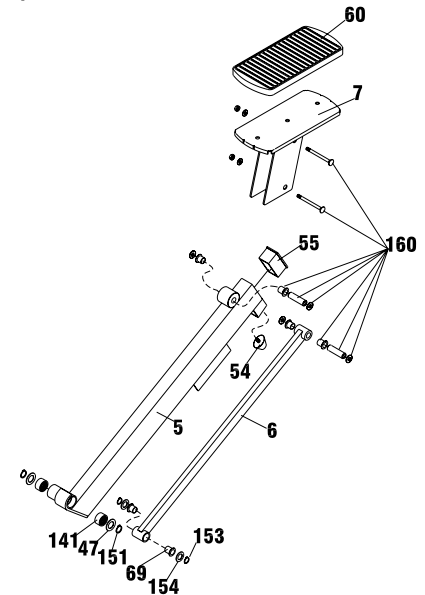


Pre 2001 models use an external sensor attached to the magnetic brake to measure speed. These models have a different computer, controller, and computer wire than current models. The only sure way to identify which computer, controller, or wire to order, is to remove the shroud and see if there is a sensor attached to the side of the magnetic brake.



Pedals and pedal arms used on pre 2001 models are no longer available. If replacement is necessary, order kit number 95493. This kit contains pedals, arms, and all of the hardware needed to replace the items pictured below.

To determine whether you have the pre 2001 model, check the bolt holes on the pedal (reference #7 in illustration) for round or square holes. Round holes were used on pre 2001 models.





REF#	PART#	DESCRIPTION
146	92411	BEARING 6003ZZ
147	92412	KEY 6X6X16L
148	92413	KEY 6X6X14L
149	92414	C CLIP R-42
150	92415	C CLIP S-30
151	92416	C CLIP S-25
152	92417	C CLIP S-20
153	92418	C CLIP S-16
154	92419	WASHER 17 X 28 X 1.2T
156	92421	WASHER SW6
158	92423	BOLT M8 X 1.25 X 16L
159	92424	BOLT M8 X 1.25 X 10L
160	95152	PEDAL ATTACHMENT HARDWARE
161	92426	BOLT M6 X 1.0 X 12L
162	92427	BOLT M8 X .8 X 20L
166	92431	NYLON NUT M6 X 1.0
170	92434	BOLT M4 X .07 X 10L
171	92435	SCREW M5 X 10L
174	92437	BOLT M6 X 1.0 X 45L
175	92438	BOLT M4 X .07 X 10L
176	92439	WASHER 8.4 X 15.5 X 2T
177	92440	SPRING WASHER SW8
179	92442	BOLT M8 X 1.25 X 25L
187	92870	PLATE
192	95428	SCREW M5 X 0.8 X 12L
195	95865	ON/OFF SWITCH
196	95821	EXTERNAL CABLE SOCKET
197	95866	EXTERNAL POWER CORD
198	95824	FUSE
199	91741	JACK PLUG
200	91742	TRANSFORMER
213	92418	C CLIP S-16
249	92422	BOLT M8 X 1.25 X 55L
250	95055	95481 330 COMPUTER
251	95057	95332 COMPUTER WIRE HARNESS
	95058	95483 340 HRC COMPUTER
	92444	HARDWARE PACK
	92870	330 DECAL SET
	98177	340 DECAL SET
	92713	330 OWNER'S MANUAL
	92762	340 OWNER'S MANUAL
	92777	330 SELL SHEET
	92780	340 SELL SHEET